

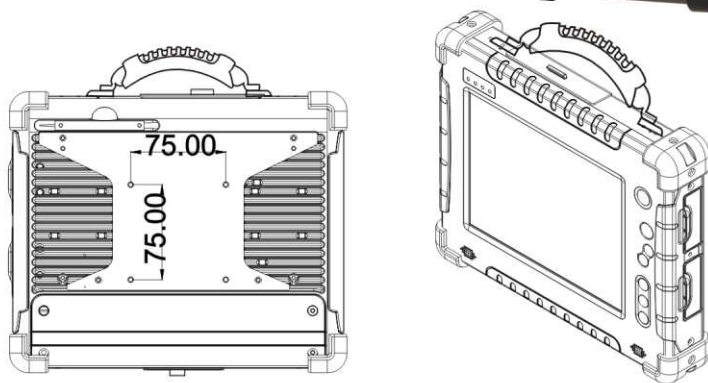
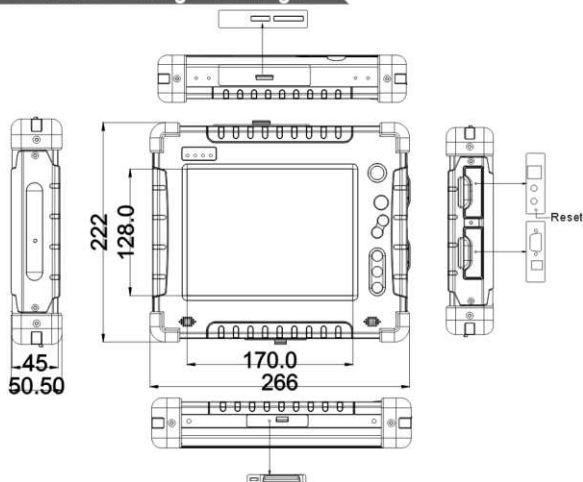
# Rugged Tablet 1980

Model : R08I98M-RTU1

## Features:

- 8.4" High Quality SVGA Resolution TFT-LCD Panel
- Intel Atom Z530 1.6GHz with Intel US15W Chipset
- 1 x SODIMM, Max. 2GB DDR2 533 (Default 1GB)
- 4 Wire Resistive Sunlight Readable Touch enhanced Viewability (for Optional)
- Alu-Mg Alloy Housing with Protection Rubber for MIL-810F Shock, Vibration and Drop Std.
- Versatile Mobile Communication Functions including WWAN(GPRS/ GSM/ CDMA/ UMTS/ EDGE)and GPS Module through PCIExpress Card (for Optional)
- Wireless 802.11b/g and Bluetooth module internal
- Ergonomic Design with Handstrip and Carry Belt Accessories (for Optional)
- 6cell, 4800mAh Lithium-Ion Battery Pack

## Mechanical Design Drawings



Note: this is a simplified drawing and some components are not marked in detail. Please contact our sales representative if you need further product information.



## System Specification

- Processor : Intel®Atom Z530 1.6GHz
- BIOS : AMI System BIOS
- System Chipset : Intel®US15W Chipset
- System Memory : 1 x SODIMM, Max 2GB DDR 533(Default 1GB)
- LAN Controller : Realtek RTL8111B GigaLAN Controller  
Single Gigabit LAN
- Storage : 2.5" 80GB IDE HDD(Default), Industrial CF Card,  
2.5" Automobile HDD, 2.5" Solid State Disk(SSD)
- Audio : Audio out for headset, Micro in for microphone jack,  
1.5W Speaker(Internal)
- Expansion Slot : PCI Express Card, SDIO(SD Card) Slot

## Wireless Communication

- WLAN : 802.11b/g (internal usb module)
- Bluetooth : Bluetooth (internal usb module)
- WWAN : GSM/GPRS (external by PCI Express)  
CDMA(external by PCI Express)  
UMTS(external by PCI Express)  
EDGE(external by PCI Express)
- GPS : GPS Solution (external by PCI Express)

## Mechanical and Environment

- Dimensions (W x L x H) : 259 x 215 x 45 mm
- Weight : 2Kg(w/o accessories)
- Operation Temperature : -20 deg.C to 60 deg.C
- Operation Humidity : 10% to 90% (non condensing)
- IP Proof : IP54
- Mounting : VESA mount, Vehicle mount
- Shock\*1 : MIL-STD-810F M516.5
- Vibration\*1 : MIL-STD-810F M514.5
- Drop\*1 : MIL-STD-810F M516.5, 4 ft, Free to concrete
- Certifications : CE, FCC ClassB, UL  
MIL810F for Vibration /Shock / Drop / Temp.

## Display Specification

- Pixel Number : 800x600
- Brightness : 350cd/m<sup>2</sup> (typ.)
- Touch (Default) : 4 Wire Resistive

## I/O Connectors

- Left I/O Port : N/A
- Right I/O Port : 2 x USB 2.0  
1 x Audio out, Micro-in Jack  
1 x Power Input Jack  
1 x COM,  
1 x Reset Button
- Upper I/O Port : 1 x PCI Express Slot , 1 x SD Card Slot for Expansion
- Downside Docking : 1 x Docking Connector to expansion for 1 x LAN  
1 x VGA, 4 x USB and Docking Stand Power input

## In front Control

- Control Button : 1 x Menu Key control BrightnessVolume and  
BatteryStatus
- LED indicator : Power On/ Off , Battery , HDD Access , Wifi On / Off

## Power Management

- Power input : 19V DC
- Power consumption : 9W typ.
- Battery : Li-Ion battery 4800mAh, 11.1V
- Battery Operating Time : 8 Hours\*2
- Charging time : 2.5 Hours
- Adapter : 100-240V, 50-60Hz, 19V DC

\*1 When use SSD or Industrial Compact Flash

\*2 With BatteryMon Test Program under Power Saving Mode

Rev.	Reasons	Revised Date
1.1	Pic change	Jun-30-09
1.2	Spec change	Jul-29-09
1.3	Spec change	Aug-13-09